

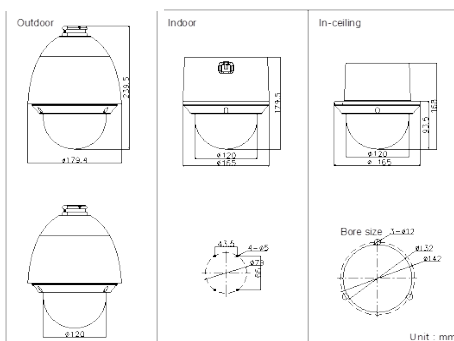
DS-2AE4162(N) series 650TVL Analog PTZ Dome Camera



Key features

- 1/3" SONY Interline Transfer EXview HAD-II CCD
- 650TVL horizontal resolution
- 12X optical zoom, 16X digital zoom
- True Day/Night, 3D DNR, D WDR
- 3D intelligent positioning
- Alarm input & output

Dimensions



Accessories



Available models

DS-2AE4162-A, PAL, 24VAC, outdoor
DS-2AE4162-A3, PAL, 24VAC, indoor

DS-2AE4162N-A, NTSC, 24VAC, outdoor
DS-2AE4162N-A3, NTSC, 24VAC, indoor

| | DS-2AE4162(N)-A (outdoor) | DS-2AE4162(N)-A3 (indoor) |
|---|--|---------------------------|
| Camera | | |
| Image sensor | 1/3" SONY Interline Transfer EXview HAD-II CCD | |
| Effective pixel | PAL: 976(H)×582(V) / NTSC: 976(H)×494(V) | |
| Horizontal resolution | Color: 650 TVL / B/W: 700 TVL | |
| Min. Illumination | Color: 0.1Lux/ (F1.6 AGC ON) ; B/W: 0.01Lux/(F1.6 AGC ON) | |
| White balance | Auto/ATW/Indoor/Outdoor/One push | |
| AGC | Auto / Manual | |
| S / N ratio | ≥ 50dB | |
| Digital noise reduction | 3D DNR | |
| Backlight compensation | BLC | |
| Wide dynamic range | Digital WDR | |
| Shutter speed | PAL: 1/50 ~ 1/10,000s ; NTSC: 1/60 ~ 1/10,000s | |
| Day & Night | IR Cut Filter | |
| Digital zoom | 16X | |
| Privacy mask | 8 privacy masks programmable, optional multiple colors and mosaics | |
| Focus model | Auto / Semiautomatic / Manual | |
| Lens | | |
| Focal length | 3.8 ~ 45.6mm,12X | |
| Zoom speed | Approx. 2s (Optical Wide-Tele) | |
| Angle of view | 50.69 ~ 4.5degree (Wide-Tele) | |
| Min. working distance | 10 ~ 1500mm (Wide-Tele) | |
| Aperture range | F1.6 ~ F2.7 | |
| Pan and Tilt | | |
| Pan / Tilt Range | Pan range: 360° endless; Tilt range: -5°-90°(Auto Flip) | |
| Pan / Tilt Speed | Pan Manual Speed: 0.1° -160°/s, Pan Preset Speed: 160°/s Tilt Manual Speed: 0.1°-120°/s, Tilt Preset Speed: 120°/s | |
| Proportional Zoom | Rotation speed can be adjusted automatically according to zoom multiples | |
| Number of Preset | 256 | |
| Patrol | 8 patrols, up to 32 presets per patrol | |
| Pattern | 4 patterns, with the total recording time not less than 10 minutes | |
| Power-off Memory | Support | |
| Park Action | Preset / Patrol / Pattern / Pan scan / Tilt scan / Random scan / Frame scan / Panorama scan | |
| PTZ Position Display | Support | |
| Zone Scanning/Display | Scanning within programmed zone, display zone title | |
| Camera Title | Programmable title display | |
| Compass | Support , the north can be set | |
| Scheduled Task | Preset / Patrol / Pattern / Pan scan / Tilt scan / Random scan / Frame scan / Panorama scan | |
| RS-485 communication diagnosis | Including failure information, e.g., wrong address, baud rate errors, et., displayed on the video screen in text | |
| Manchester code communication diagnosis | Including failure information, e.g., wrong address, baud rate errors s displayed on the video screen in special characters | |
| Local output | | |
| Video output | 1.0V[p-p] / 75Ω, NTSC (or PAL) composite, BNC | |
| General | | |
| RS-485 Protocols | HIKVISION, Pelco-P, Pelco-D, self-adaptive | |
| Power | -A: 24 VAC (12 VDC optional), max.18 W -A3: 24 VAC (12 VDC optional), max. 12W | |
| Working Temperature | -A: -30°C ~ 65°C (-22°F ~ 149°F) -A3: -10°C ~ 50°C (14°F ~ 122°F) (indoor dome), | |
| Humidity | 90% or less | |
| Protection Level | IP66 (outdoor dome) TVS 4,000V lightning protection, surge protection and voltage transient protection | |
| Dimension | Φ179.4×239.5mm (Φ7.06"×9.43")(Outdoor) Φ165×179.5mm(Φ6.50"×7.07") (Indoor) Φ165×168mm(Φ6.50"×6.61") (In-ceiling) | |
| Weight | Approx. 2Kg (4.41lbs) | |
| Mount Option (outdoor dome) | Long-arm wall mount: DS-1601ZJ; Short-arm mount: DS-1618ZJ Pendent mount: DS-1661ZJ(20cm) or DS-1662ZJ(50cm) | |

NOTE: Indoor models support ceiling and in-ceiling mount.